

NOTES

Project Name:
**CONSTRUCTION OF CRS
 IMPROVED 2 UNIT BATHROOM
 WITH URINARY ATTACHED**

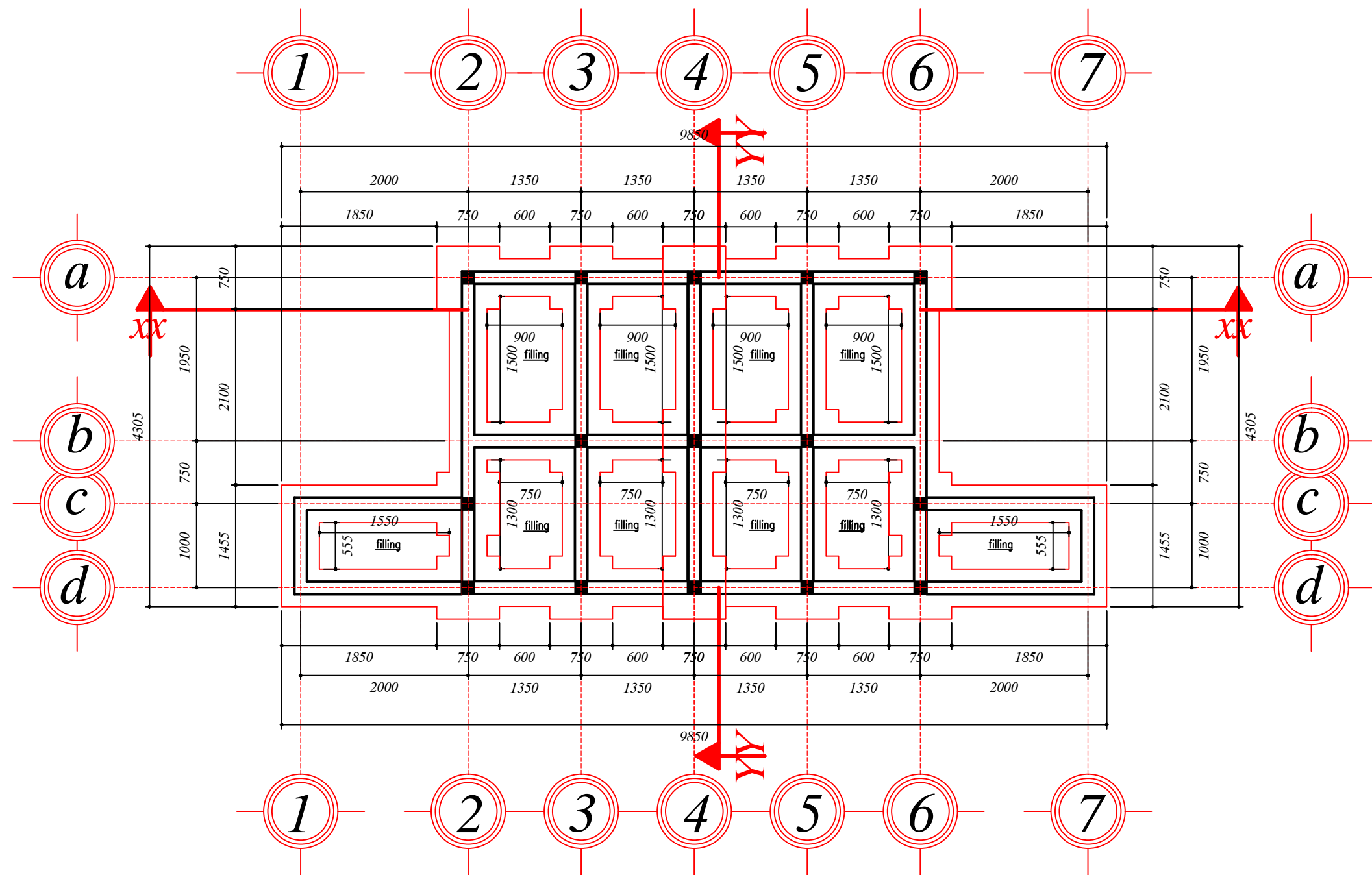
Location:
VARIOUS

CRS WASH Program

Title:
FOUNDATION PLAN

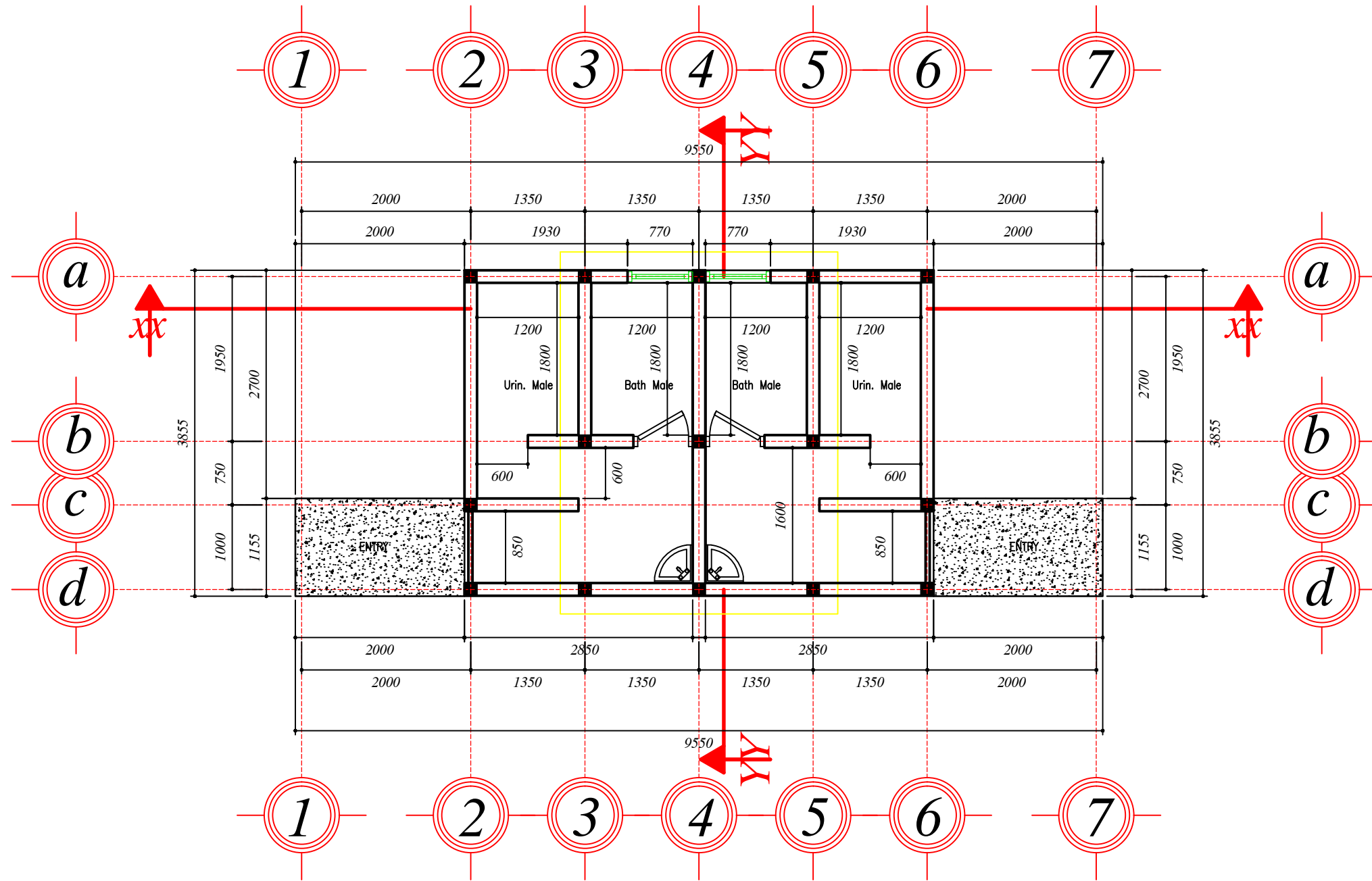
Address:
 Post Office Box TL334, RICE CITY, GUMANI TAMALE

Design By: J. K. K. (0240088811)		Sheet Nr. 01
Date: 01/01/2021	Scale: 1:100	



FOUNDATION PLAN

NOTES



GROUND FLOOR PLAN

Project Name:
CONSTRUCTION OF CRS IMPROVED 2 UNIT BATHROOM WITH URINARY ATTACHED

Location:
VARIOUS

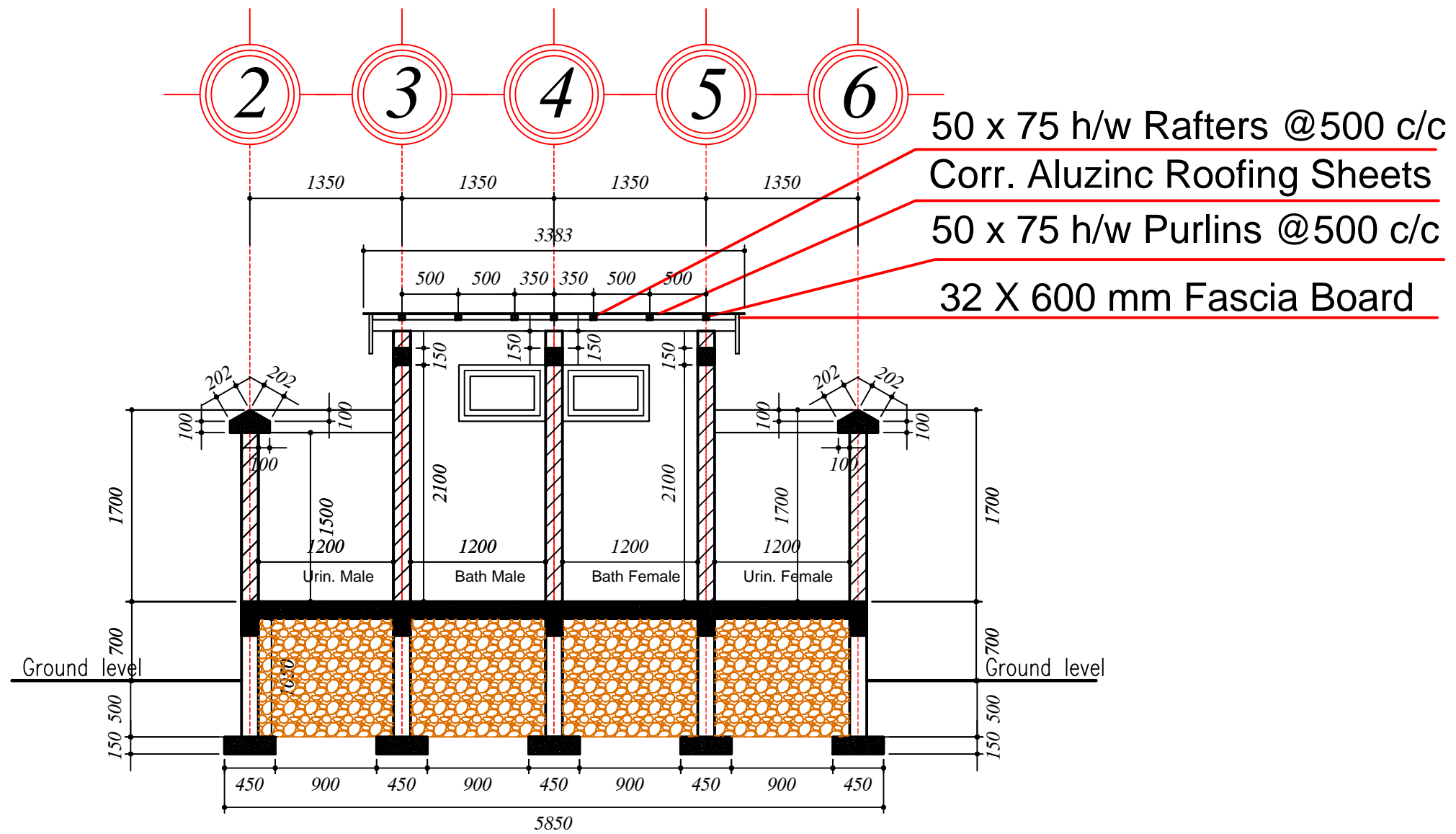
CRS WASH Program

Title:
GROUND FLOOR PLAN

Address:
Post Office Box TL334, RICE CITY, GUMANI TAMALE

Design By: J. K. K. (0240088811)	Sheet Nr. 02
Date: 01/01/2021	Scale: 1:100

NOTES



SECTION XX

Project Name:
CONSTRUCTION OF CRS IMPROVED 2 UNIT BATHROOM WITH URINARY ATTACHED

Location:
VARIOUS

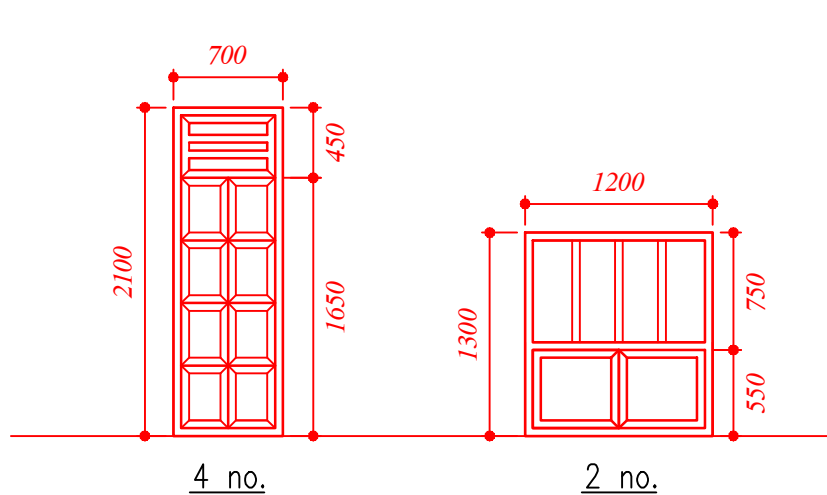
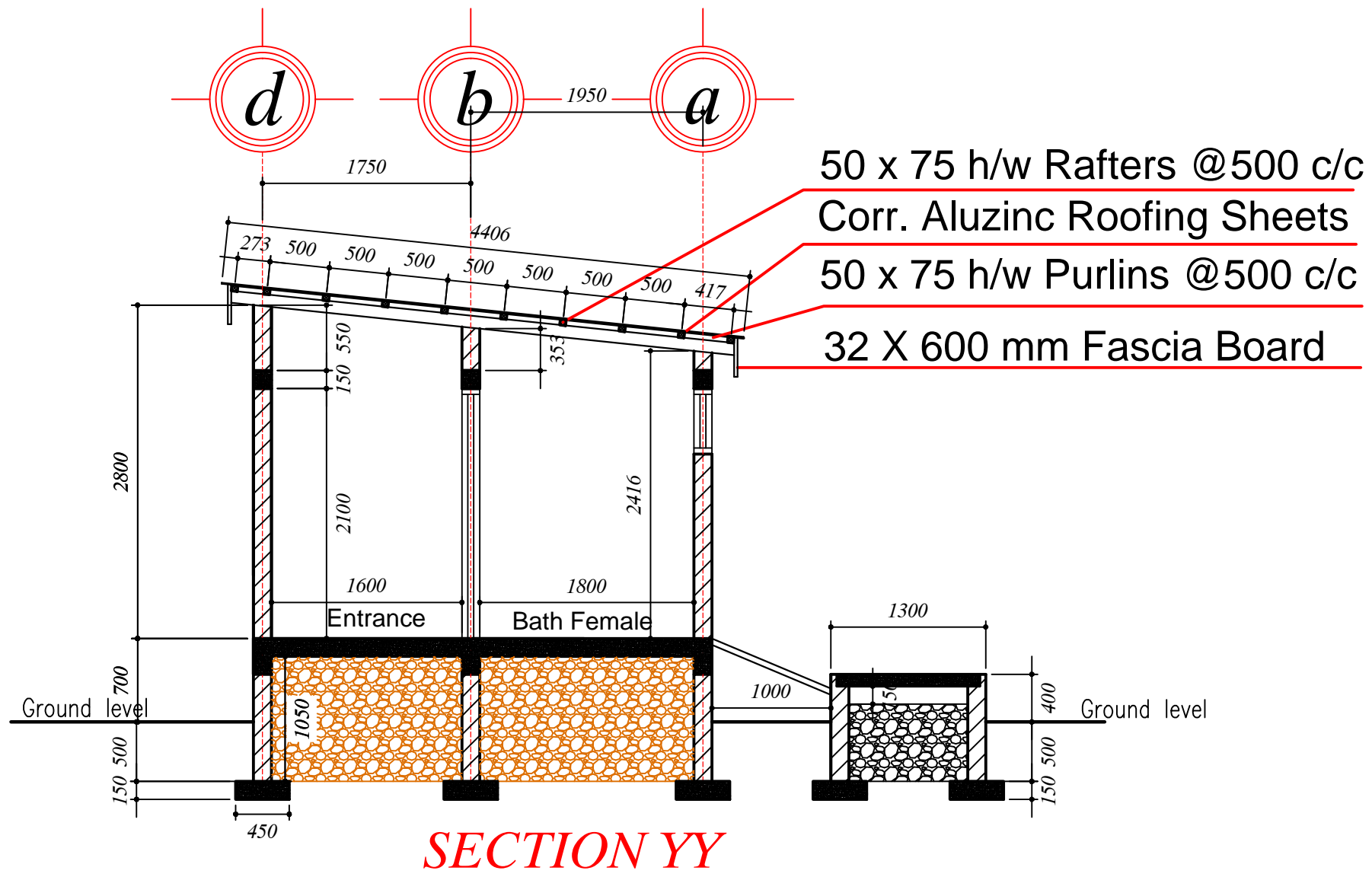
CRS WASH Program

Title:
SECTION XX

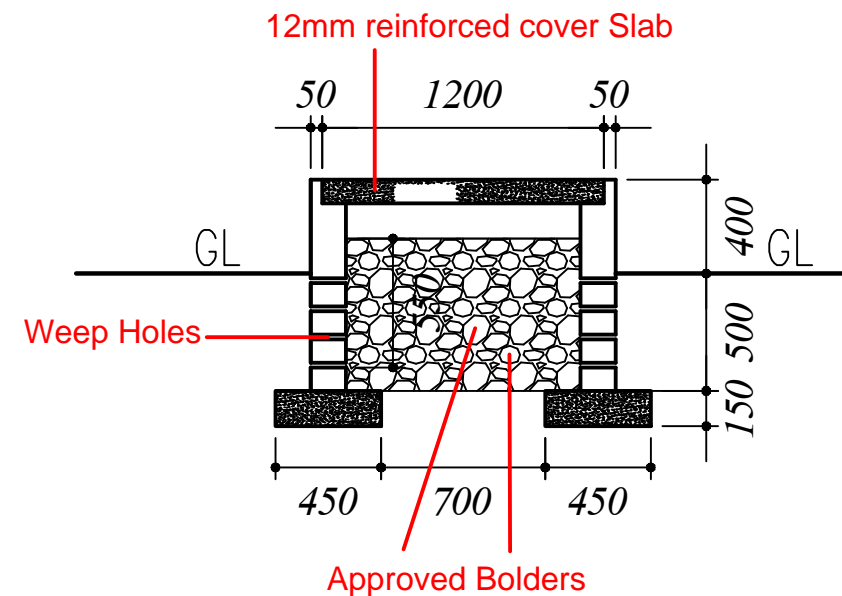
Address:
 Post Office Box TL334, RICE CITY, GUMANI TAMALE

Design By: J. K. K. (0240088811)		Sheet Nr. 03
Date: 01/01/2021	Scale: 1:100	

NOTES



DOOR/GATE SCHEDULE



Project Name:
CONSTRUCTION OF CRS IMPROVED 2 UNIT BATHROOM WITH URINARY ATTACHED

Location:
VARIOUS

CRS WASH Program

Title:
SECTION YY

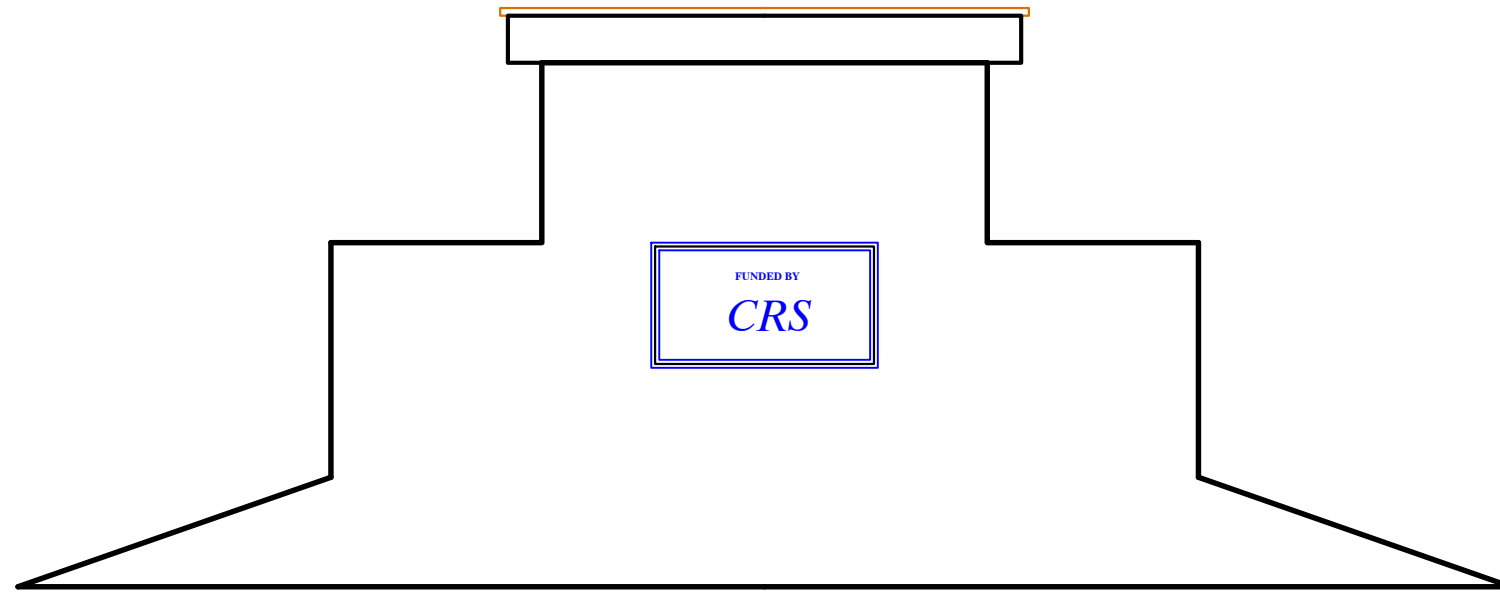
Address:
 Post Office Box TL334, RICE CITY, GUMANI TAMALE

Design By:
J. K. K.
 (0240088811)

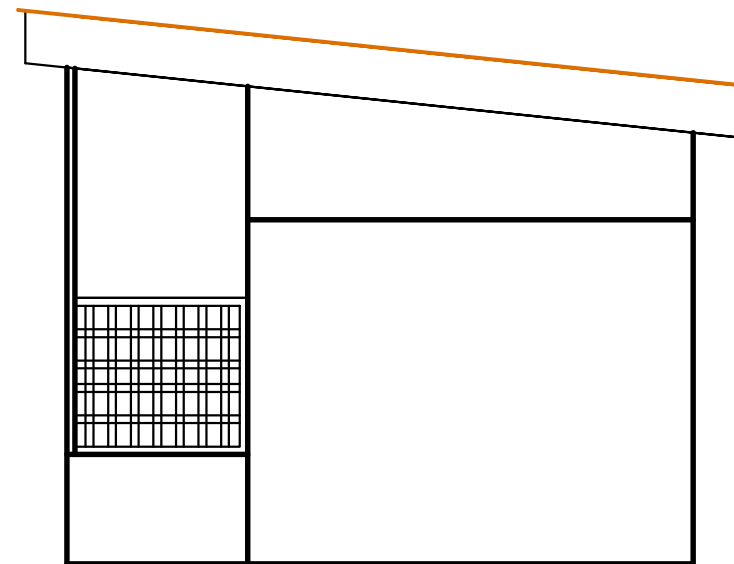
Date: 01/01/2021 Scale: 1:100

Sheet Nr.
04

NOTES



FRONT ELEVATION



LHS ELEVATION

Project Name:
**CONSTRUCTION OF CRS
IMPROVED 2 UNIT BATHROOM
WITH URINARY ATTACHED**

Location:
VARIOUS

CRS WASH Program

Title:
ELEVATIONS

Address:
Post Office Box TL334, RICE CITY, GUMANI TAMALE

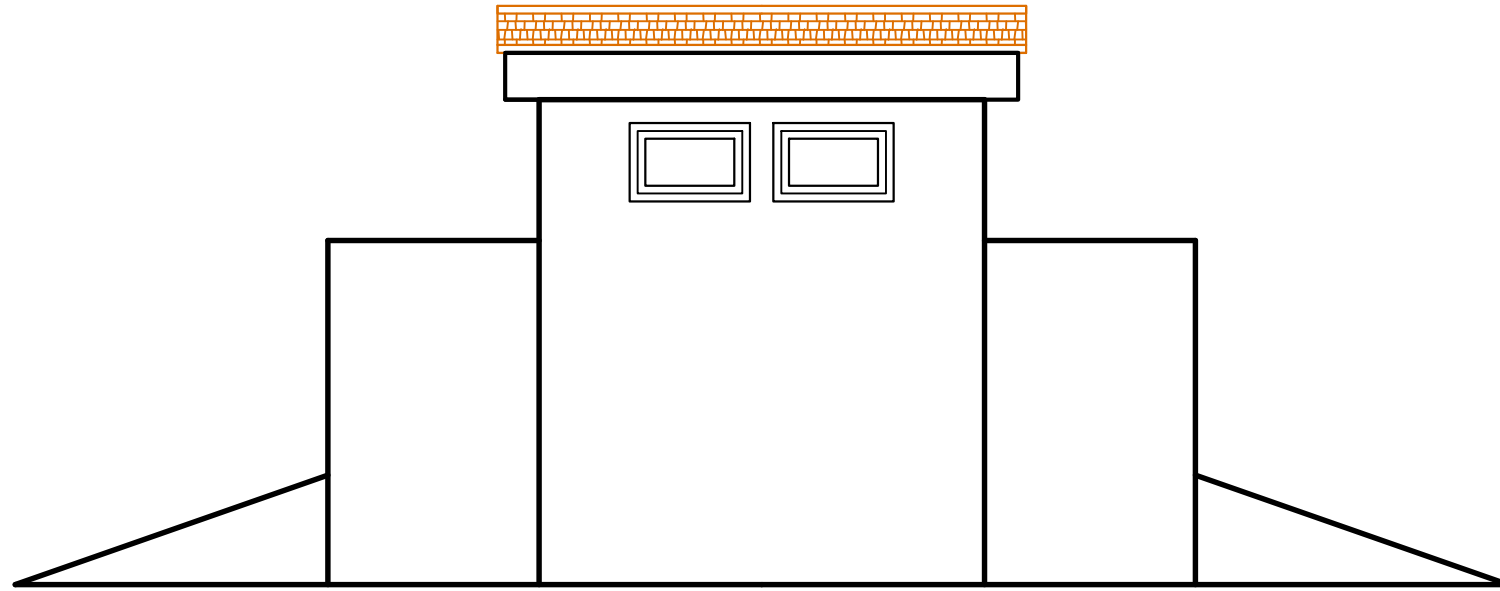
Design By:
J. K. K.
(0240088811)

Sheet Nr.
05

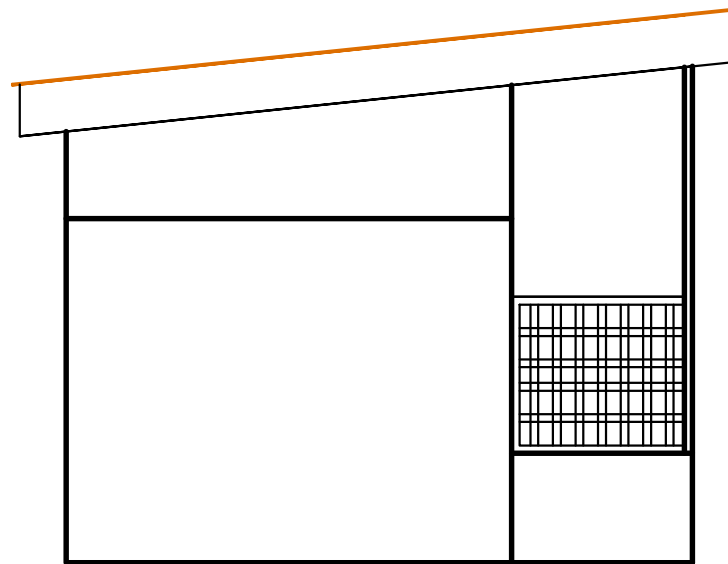
Date:
01/01/2021

Scale:
1:100

NOTES



BACK ELEVATION



RHS ELEVATION

Project Name:
**CONSTRUCTION OF CRS
IMPROVED 2 UNIT BATHROOM
WITH URINARY ATTACHED**

Location:
VARIOUS

CRS WASH Program

Title:
ELEVATIONS

Address:
Post Office Box TL334, RICE CITY, GUMANI TAMALE

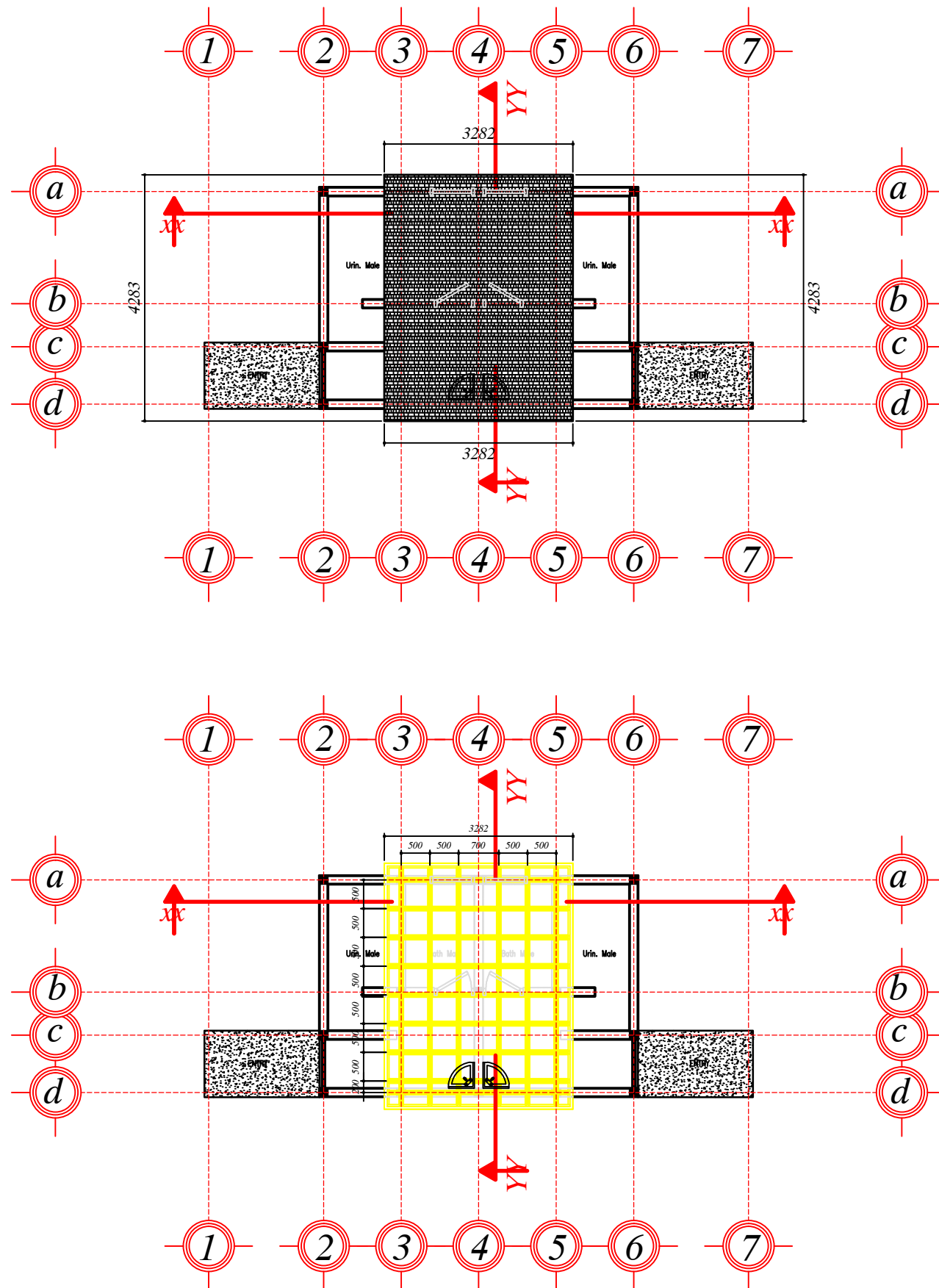
Design By:
J. K. K.
(0240088811)

Sheet Nr.
06

Date:
01/01/2021

Scale:
1:100

NOTES



Project Name:
CONSTRUCTION OF CRS IMPROVED 2 UNIT BATHROOM WITH URINARY ATTACHED

Location:
VARIOUS

CRS WASH Program

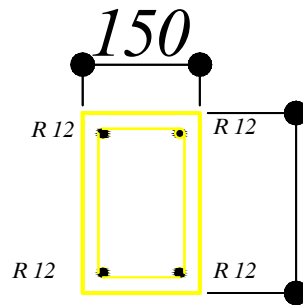
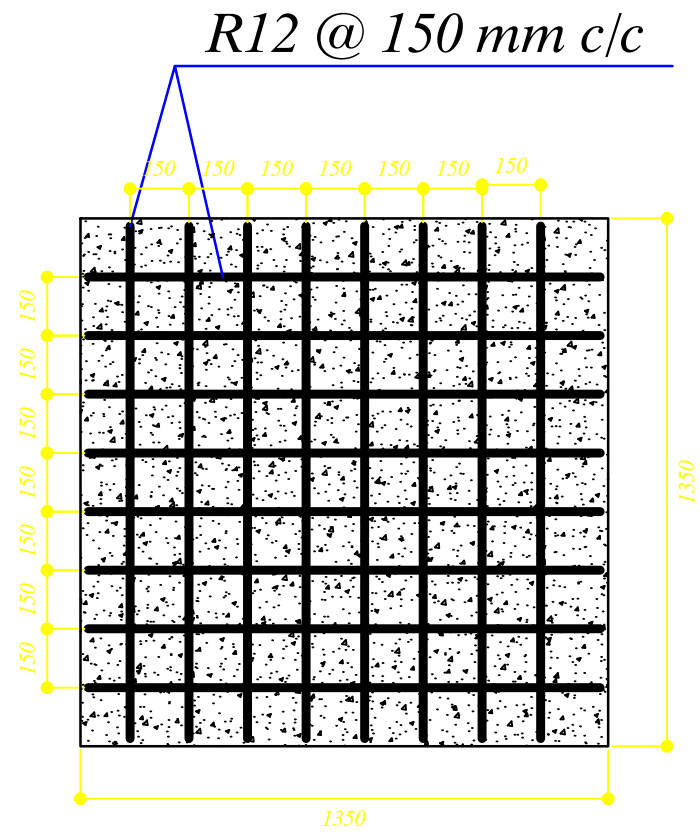
Title:
ROOF PLAN

Address:
 Post Office Box TL334, RICE CITY, GUMANI TAMALE

Design By:
J. K. K.
 (0240088811)

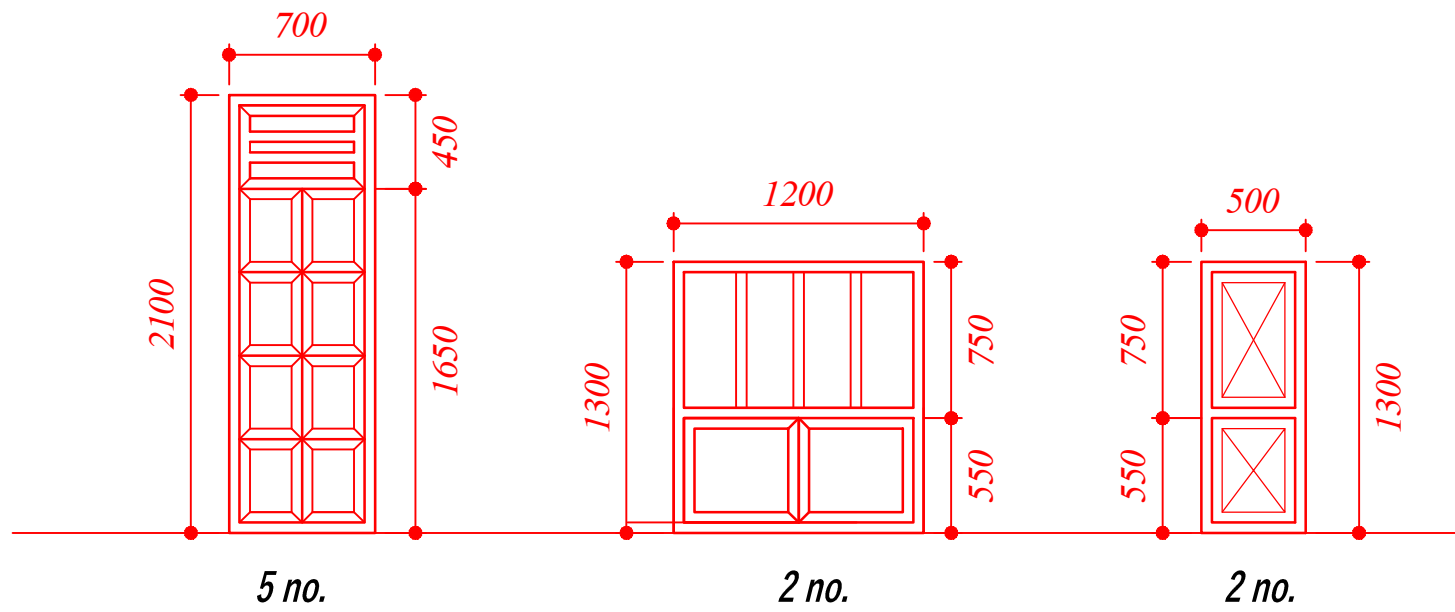
Date: 01/01/2021
 Scale: 1:100
 Sheet Nr. **07**

NOTES



LINTEL

COVER SLAB FOR SOAKAWAY



D/W SCHEDULE

Project Name:
CONSTRUCTION OF CRS IMPROVED 2 UNIT BATHROOM WITH URINARY ATTACHED

Location:
VARIOUS

CRS WASH Program

Title:
VARIOUS

Address:
 Post Office Box TL334, RICE CITY, GUMANI TAMALE

Design By: J. K. K. (0240088811)		Sheet Nr. 07
Date: 01/01/2021	Scale: 1:100	